

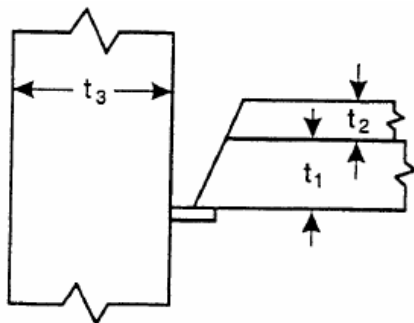


**AWS D1.1 Interpretation**

*This interpretation has been approved by the AWS Structural Welding Committee*

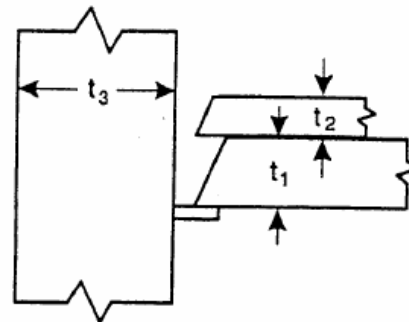
**Subject:** Prequalified Joints  
**Code Edition:** D1.1-94  
**Code Provision:** Figure 2.4  
**AWS Log:** 2.28

**Inquiry:** Are the joint details (see figure) prequalified according to D1.1-94, Figure 2.4?



**Joint A**

Note: All dimensions meet requirements of Figure 2.4, TC-U4a-X, except  $T_1 = t_1 + t_2$



**Joint B**

Note: After CJP groove weld  $t_1$  to  $t_3$  is complete, then plate  $t_2$  is added and welded to  $t_3$ . Dimensions of both CJP welds meet requirements of TC-U4a-X.

**Response:** Yes.

AWS D1.1, Structural Welding Code—Steel, is prepared by the AWS Structural Welding Committee. Because the Code is written in the form of a specification, it cannot present background material or discuss the committee’s intent.

Since the publication of the first edition of the Code, the nature of inquiries directed to the American Welding Society and the Structural Welding Committee has indicated that there are some requirements in the Code that are either difficult to understand or not sufficiently specific, and other that appear to be overly conservative.

It should be recognized that the fundamental premise of the Code is to provide general stipulations applicable to any situation and to leave sufficient latitude for the exercise of engineering judgment. Another point to be recognized is that the Code represents the collective experience of the committee; and, while some provisions may seem overly conservative, they have been based on sound engineering practice.