

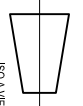
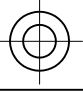
ITEM	DESCRIPTION	QTY.	REMARKS
A	10mm (3/8") x 75mm (3") x 180mm(7")	2	30° Bevel one edge
B	16mm (5/8") x 75mm (3") x 180mm (7")	2	30° Bevel one edge
C	4 Inch Sch 80 Pipe X 6" 30° bevel one end	2	30° Bevel one end

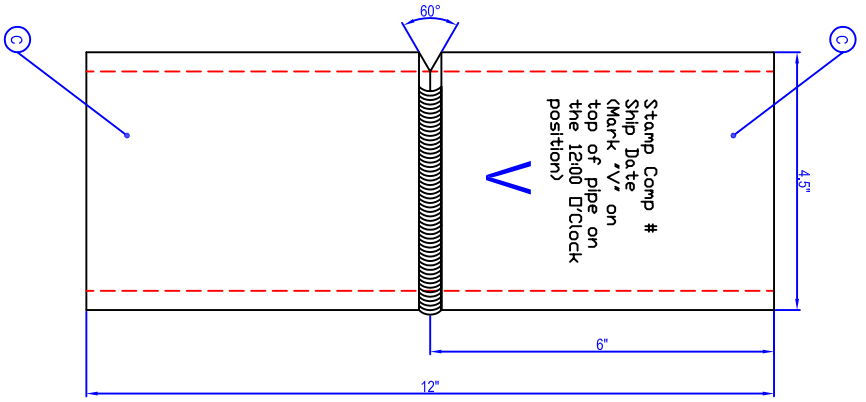
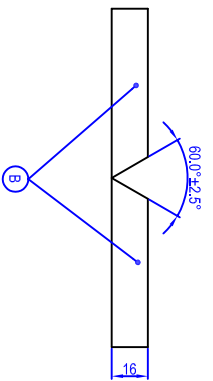
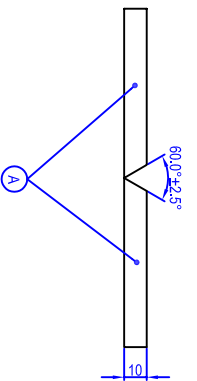
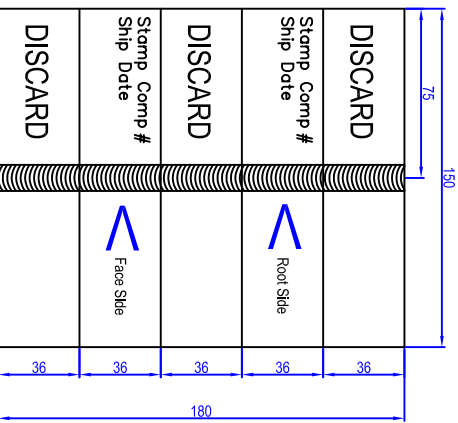
**INSTRUCTIONS**

Test Plate #1A  
 Position: \_\_\_\_\_  
 Process: \_\_\_\_\_  
 Filler Material: \_\_\_\_\_

Test Plate #1B  
 Position: \_\_\_\_\_  
 Process: \_\_\_\_\_  
 Filler Material: \_\_\_\_\_

Test Pipe #1C  
 Position: \_\_\_\_\_  
 Process: \_\_\_\_\_  
 Filler Material: \_\_\_\_\_

SCALE	AWS	WorldSkills	SkillsUSA
NONE			
		2007 U.S. Open Weld Trials	Kansas City, MO
#1	TEST PLATES		



**ASSESSMENT**

Visual assessment of all welds  
 Bend test Root and face of all welds  
 Radiographic examination of all welds