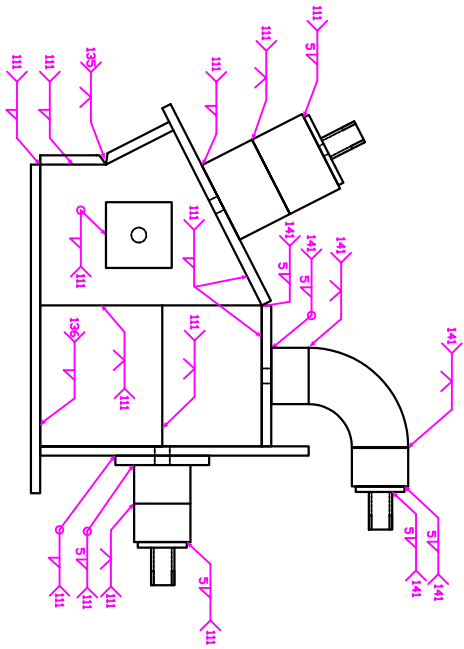
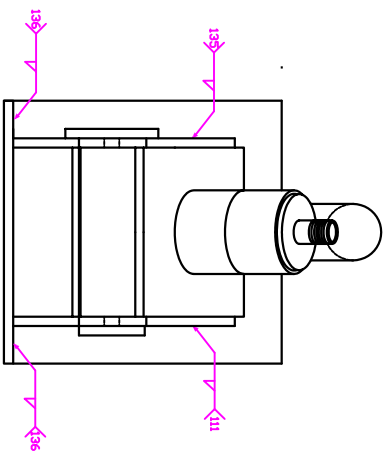


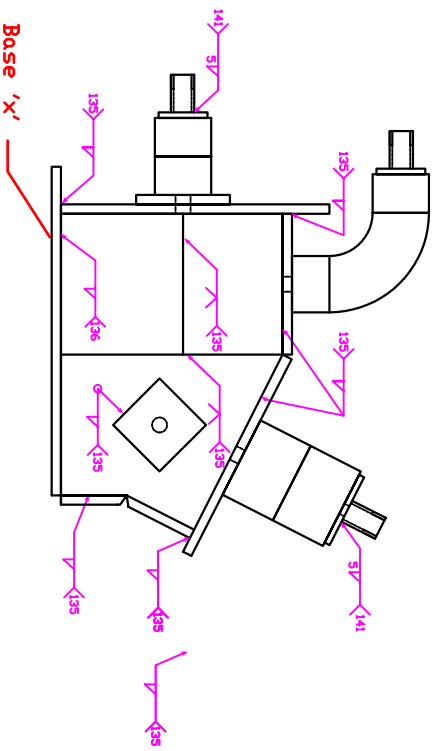
END VIEW



ELEVATION



END VIEW



REVERSE ELEVATION

Base 'x'

<p>2007 U.S. Open Weld Trials Kansas City, MO Project #2</p>	
<p>DEPARTMENT OF EDUCATION AND SCIENCE</p>	
<p>National Skills Competition 2007 (Final Stage)</p>	
<p>Skill Area of Welding</p>	
<p>TEST 7 Pressure Vessel (Symbols)</p>	
<p>ISD E </p>	<p>Written by William Irwin</p>
<p>Total Test Time 14 hours</p>	<p>Scale Not to scale</p>
<p>Revision C</p>	<p>Date 09/03/2007</p>